



SUPER FAST DIODE MODULE TYPES 200A

Features

High Surge Capability
Types Up to 600V V_{RRM}

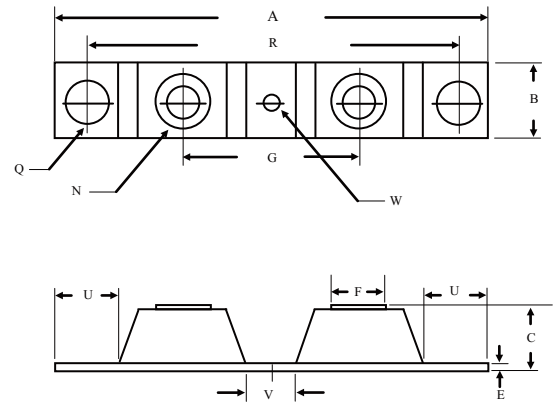
**200 Amp Rectifier
200-600 Volts**

Maximum Ratings

Operating Temperature: -55 °C to +175 °C
Storage Temperature: -55 °C to +175 °C

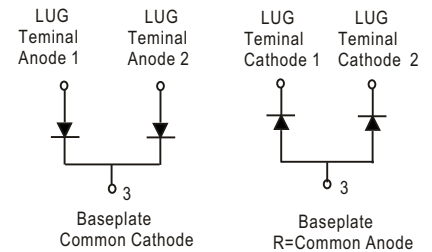
Part Number	Maximum Recurrent Peak Reverse Voltage	Maximum RMS Voltage	Maximum DC Blocking Voltage
MUR20020CT(R)	200V	140V	200V
MUR20040CT(R)	400V	280V	400V
MUR20060CT(R)	600V	420V	600V

TWIN TOWER



Electrical Characteristics @ 25 °C Unless Otherwise Specified

Average Forward Current (Per pkg)	$I_{F(AV)}$	200A	$T_C = 140\text{ }^\circ\text{C}$
Peak Forward Surge Current (Per leg)	I_{FSM}	2000 A	8.3ms , half sine
Maximum Instantaneous Forward Voltage * (Per leg)	V_F	1.0 V 1.3 V 1.7 V	$I_{FM} = 100A;$ $T_J = 25\text{ }^\circ\text{C}$
Maximum Reverse Current At Rated DC Blocking Voltage* (Per leg)	I_R	25 uA 3 mA	$T_J = 25\text{ }^\circ\text{C}$ $T_J = 125\text{ }^\circ\text{C}$
Maximum Reverse Recovery Time (Per leg)	T_{rr}	75 ns 90 ns 110 ns	$I_F = 0.5A, I_R = 1.0A,$ $I_{RR} = 0.25A$
Maximum Thermal Resistance Junction To Case (Per leg)	$R_{\theta jc}$	0.45°C/W	



DIM	Inches		Millimeters	
	Min	Max	Min	Max
A	----	3.630	----	92.40
B	0.700	0.800	17.78	20.32
C	----	0.650	----	16.51
E	0.130	0.141	3.30	3.60
F	0.482	0.490	12.25	12.45
G	1.368	BSC	34.75	BSC
N	1/4-20 UNC FULL			
Q	0.275	0.290	6.99	7.37
R	3.150	BSC	80.01	BSC
U	0.600	----	15.24	----
V	0.312	0.370	7.92	9.40
W	0.180	0.195	4.57	4.95

*Pulse Test:Pulse Width 300 μ sec,Duty Cycle 2%



Figure .1- Typical Forward Characteristics

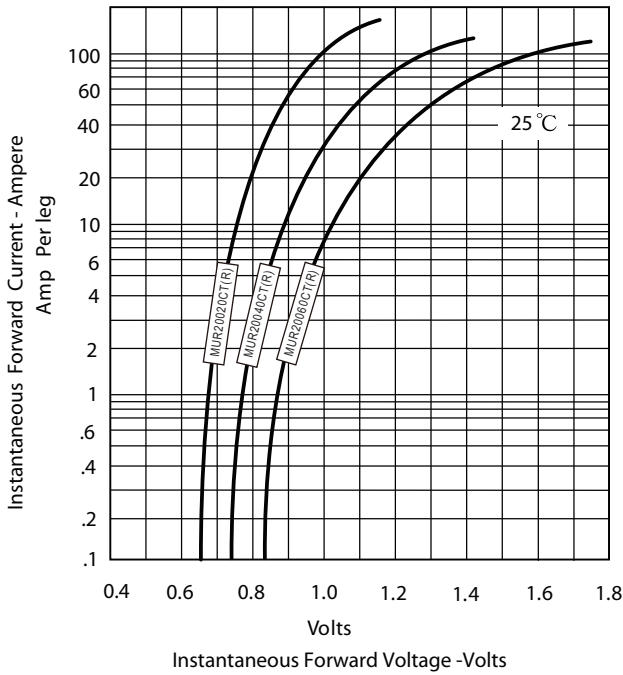


Figure .2- Forward Derating Curve

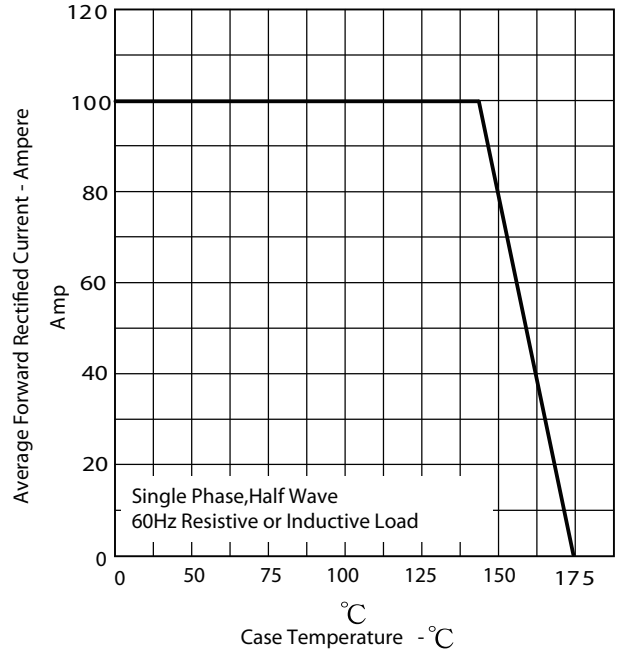


Figure.3- Peak Forward Surge Current

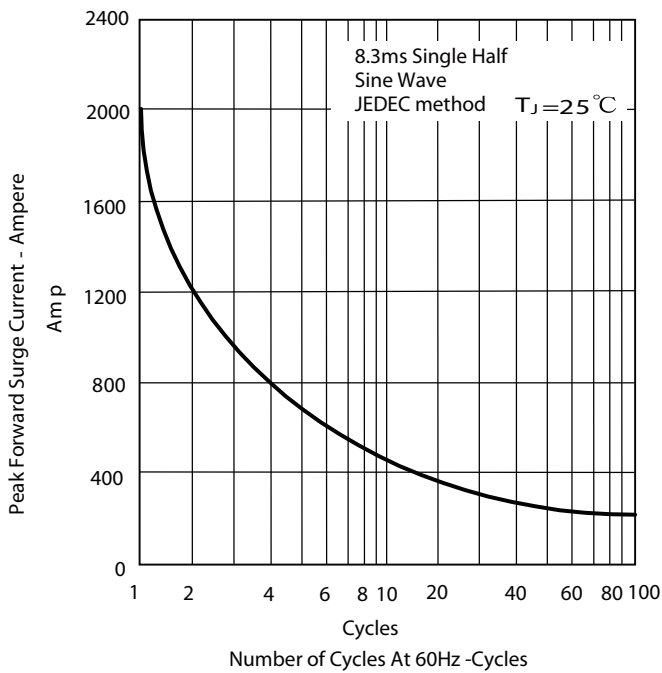


Figure .4 -Typical Reverse Characteristics

