



SCHOTTKY DIODE MODULE TYPES 60A

Features

High Surge Capability
Types Up to 100 V V_{RRM}

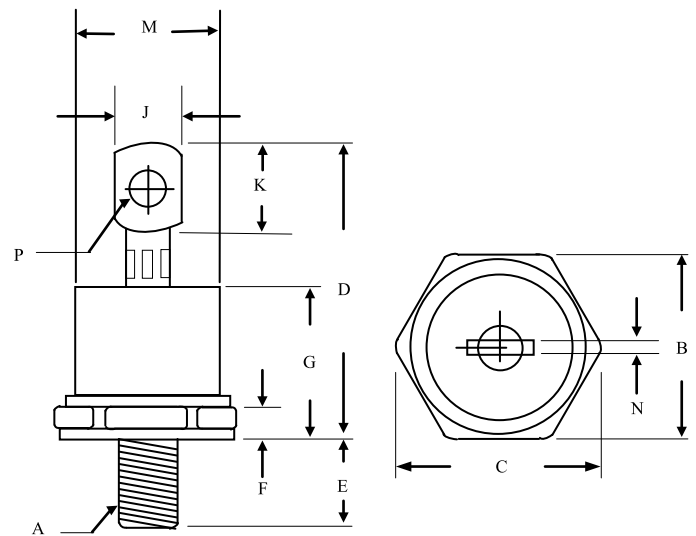
**60Amp Rectifier
20-100 Volts**

Maximum Ratings

Operating Temperature: -55 °C to +150 °C
Storage Temperature: -55 °C to +150 °C

Part Number	Maximum Recurrent Peak Reverse Voltage	Maximum RMS Voltage	Maximum DC Blocking Voltage
MBR6020(R)	20 V	14 V	20 V
MBR6030(R)	30 V	21 V	30 V
MBR6035(R)	35 V	25 V	35 V
MBR6040(R)	40 V	28 V	40 V
MBR6045(R)	45 V	32 V	45 V
MBR6060(R)	60 V	42 V	60 V
MBR6080(R)	80 V	50 V	80 V
MBR60100(R)	100 V	70 V	100 V

DO - 5 (DO -203AB)



Electrical Characteristics @ 25 °C Unless Otherwise Specified

Average Forward Current (Per pkg)	$I_{F(AV)}$	60A	$T_C=125^{\circ}C$
Peak Forward Surge Current	I_{FSM}	900A	8.3ms, half sine
Maximum Instantaneous Forward Voltage 20-45V 50-60V 80-100V	V_F	0.72 V 0.75 V 0.84 V	$I_{FM}=60 A; T_J=25^{\circ}C$
Maximum Instantaneous Reverse Current At Rated DC Blocking Voltage NOTE (1)	I_R	1mA 10mA 20mA	$T_J=25^{\circ}C$ $T_J=100^{\circ}C$ $T_J=150^{\circ}C$
Maximum Thermal Resistance Junction To Case	$R_{\theta jc}$	1.20 °C/W	
Mounting torque	Inch pounds (in-pb)	30	

Marking Notes:

1. R= Stud Reverse Polarity : Anode to Stud
2. None = Stud normal Polarity : Cathode to Stud

DIM	Inches		Millimeters	
	Min	Max	Min	Max
A	1/4-28 UNF			
B	0.669	0.687	17.19	17.44
C	—	0.794	—	20.16
D	—	1.020	—	25.91
E	0.422	0.453	10.72	11.50
F	0.115	0.200	2.93	5.08
G	—	0.460	—	11.68
J	—	0.280	—	7.00
K	0.236	—	6.00	—
M	—	0.589	—	14.96
N	—	0.063	—	1.60
P	0.140	0.175	3.56	4.45

NOTE :

(1) Pulse Test: Pulse Width 300 μ sec. Duty Cycle < 2%



Figure .1- Typical Forward Characteristics

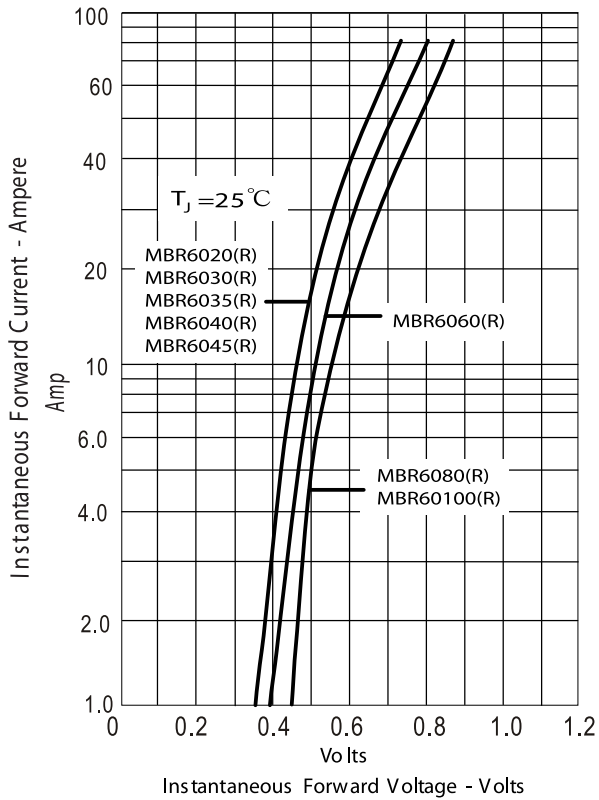


Figure .2- Forward Derating Curve

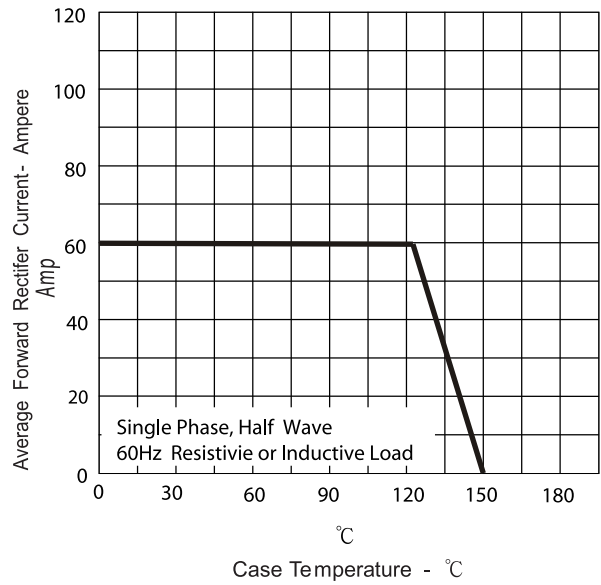


Figure.3-Peak Forward Surge Current

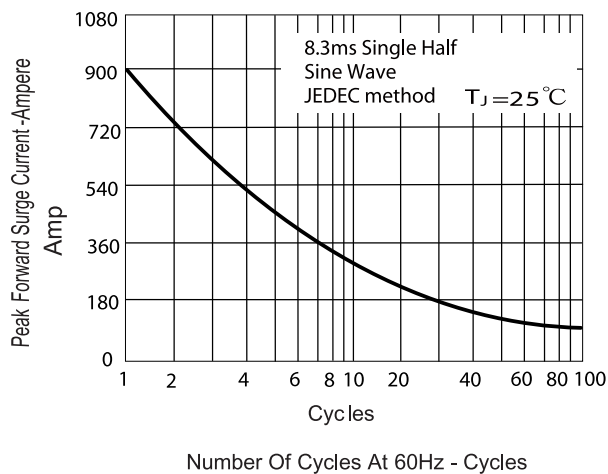


Figure .4- Typical Reverse Characteristics

